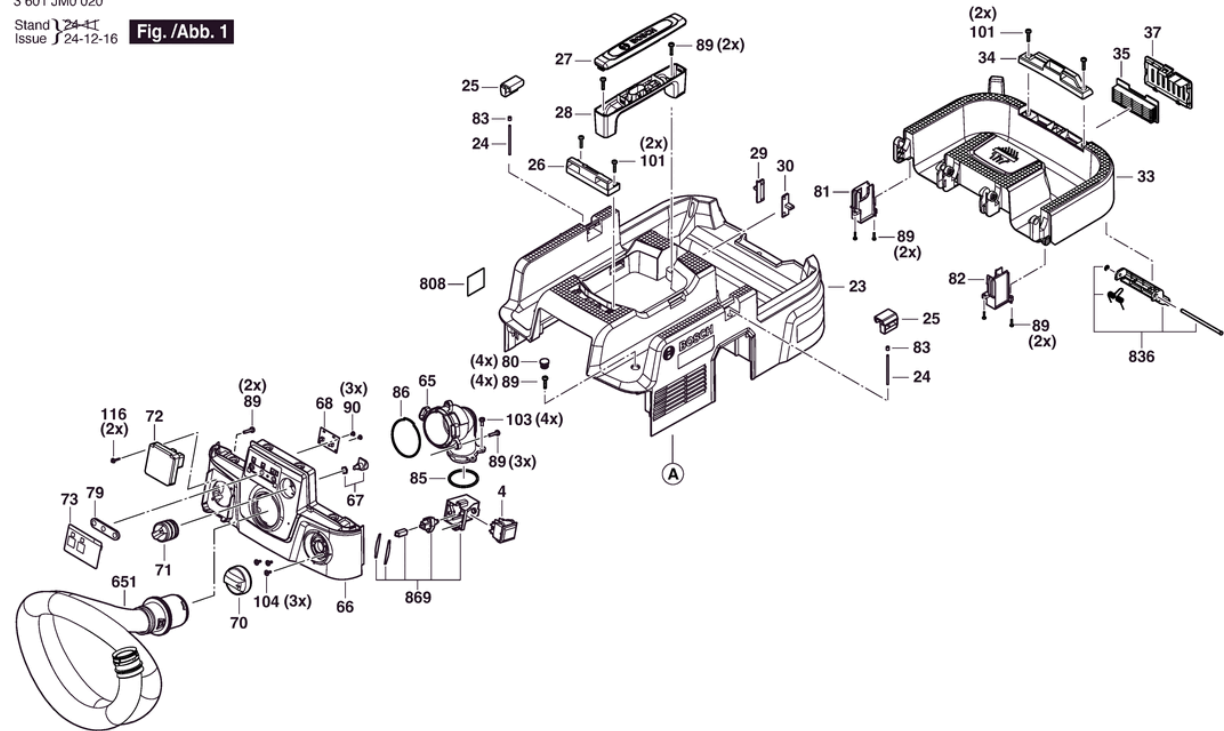


Illustration - Type - E

3 601 JM0 020

Stand 24-11
Issue 24-12-16

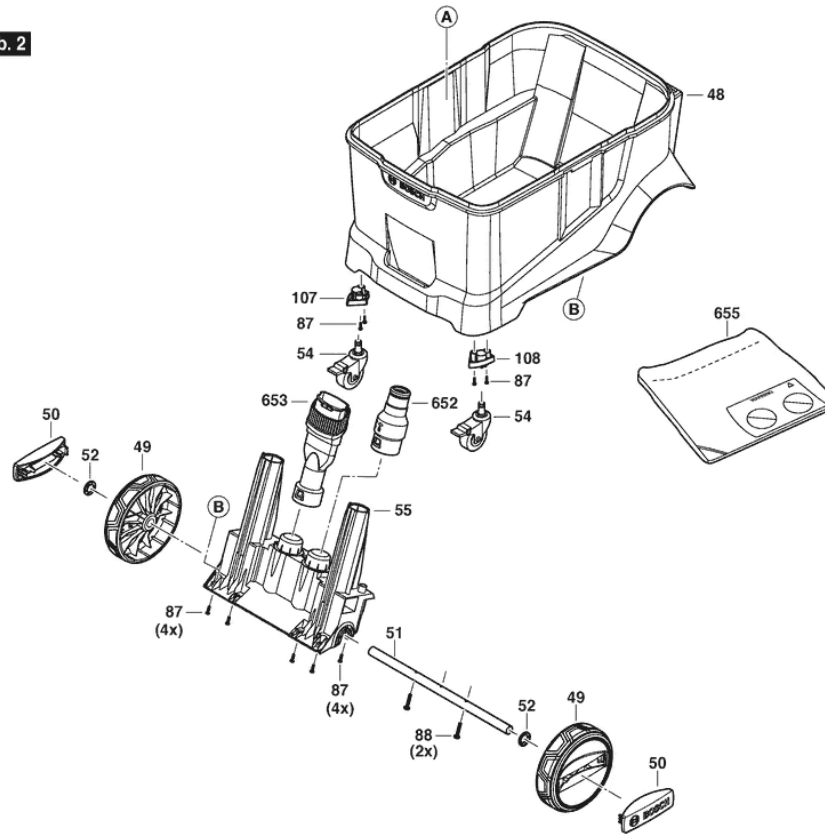
Fig./Abb. 1



Änderungen vorbehalten
Modifications reserved
Modifications réservées
Salvo modificaciones

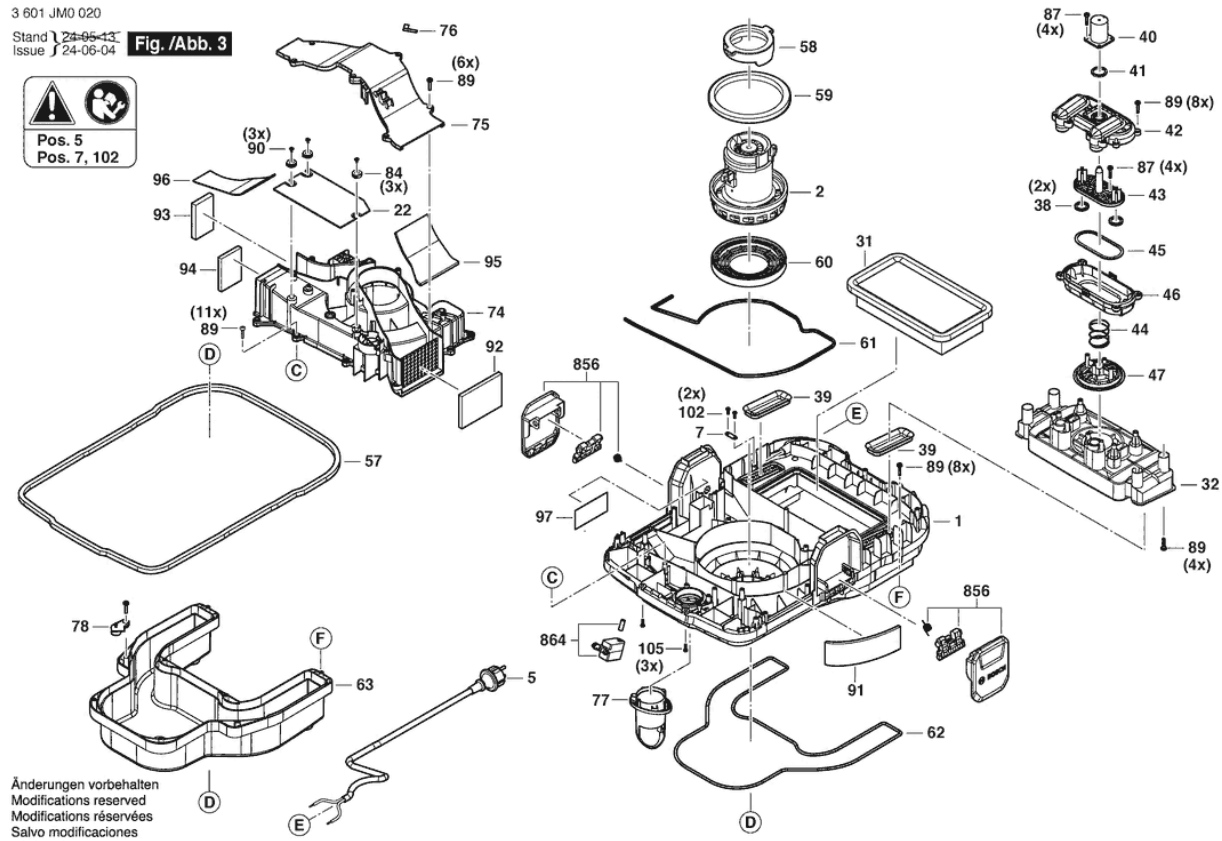
Illustration - Type - E

3 601 JM0 020
Stand 24-04-05
Issue 24-05-13 **Fig. /Abb. 2**



Änderungen vorbehalten
Modifications reserved
Modifications réservées
Salvo modificaciones

Illustration - Type - E



Spare parts list

Item	Part Number	Description	Illustration
4	1 600 A02 RZ4	Main Switch	1
23	1 619 PC1 220	Upper Housing	1
24	1 619 PC1 221	Cord	1
25	1 619 PC1 222	Clip	1
26	1 619 PC1 223	Interface	1
27	1 619 PC1 224	Handle	1
28	1 619 PC1 225	Handle	1
29	1 619 PC1 226	fixation	1
30	1 619 PC1 227	fixation	1
33	1 619 PC1 230	Cover	1
34	1 619 PC1 231	Interface	1
35	1 619 PC1 232	AFC filter	1
37	1 619 PC1 234	Filter holder	1
65	1 619 PC1 263	Tube	1
66	1 619 PC1 264	Operator Panel	1
67	1 619 PC1 265	Electronic Board	1
68	1 619 PC1 266	Electronic Board	1
70	1 619 PC1 269	Switch Cover	1
71	1 619 PC1 270	Switch Cover	1
72	1 619 PC1 271	Socket	1
73	1 619 PC1 277	Sticker	1
79	1 619 PC1 285	Rubber	1
80	1 619 PC1 286	Cover	1
81	1 619 PC1 287	Holder	1
82	1 619 PC1 288	Holder	1
83	1 619 PC1 289	Clip	1
85	1 619 PC1 291	Rubber	1
86	1 619 PC1 293	Rubber	1
89	1 619 PC2 138	Screw	1
90	1 619 PC2 139	Screw	1
101	1 619 PC2 954	Screw	1
103	1 619 PC2 956	Screw	1
104	1 619 PC2 957	Screw	1
106	1 619 PC2 959	Screw	1
116	1 619 PS2 152	Screw	1

Spare parts list

Item	Part Number	Description	Illustration
651	1 619 PC1 629	Hose	1
808	1 619 PC1 217	Nameplate	1
836	1 619 PC1 233	Latch	1
869	1 619 PC1 268	Switch Assembly	1
48	1 619 PC1 246	Dust container	2
49	1 619 PC1 247	Wheel	2
50	1 619 PC1 248	Cover	2
51	1 619 PC1 249	Shaft	2
52	1 619 PC1 250	Clip	2
54	1 619 PC1 252	Wheel	2
55	1 619 PC1 253	Holder	2
87	1 619 PC1 294	Screw	2
88	1 619 PC2 137	Screw	2
107	1 619 PC2 960	Plate	2
108	1 619 PC2 961	Plate	2
652	1 619 PC1 630	Adapter	2
653	1 619 PC1 631	Nozzle	2
655	1 619 PC1 633	Dust Bag	2
1	1 619 PC1 212	Housing	3
2	1 619 PC1 213	Motor	3
5	1 619 PC1 214	Power supply cord	3
7	1 619 PC1 215	fixation	3
22	1 600 A02 T2A	Electronic Board	3
31	1 619 PC1 228	Filter	3
32	1 619 PC1 229	Housing	3
38	1 619 PC1 235	Rubber	3
39	1 619 PC1 236	Rubber	3
40	1 619 PC1 237	Electromagnet	3
41	1 619 PC1 238	Rubber	3
42	1 619 PC1 239	Housing	3
43	1 619 PC1 240	Valve Body	3
44	1 619 PC1 241	Spring	3
45	1 619 PC1 242	Sealing Rubber	3
46	1 619 PC1 243	Housing	3
47	1 619 PC1 244	Valve Body	3

Spare parts list

Item	Part Number	Description	Illustration
57	1 619 PC1 255	Sealing Rubber	3
58	1 619 PC1 256	Rubber	3
59	1 619 PC1 257	Rubber	3
60	1 619 PC1 259	Rubber	3
61	1 619 PC1 258	Rubber	3
62	1 619 PC1 260	Rubber	3
63	1 619 PC1 261	Inlet Cover	3
74	1 619 PC1 278	Cover	3
75	1 619 PC1 279	Cover	3
76	1 619 PC1 280	Hall Sensor	3
77	1 619 PC1 282	Tube	3
78	1 619 PC1 283	Valve Body	3
84	1 619 PC1 290	Rubber Pad	3
91	1 619 PC2 140	Foam Plastics	3
92	1 619 PC2 141	Foam Plastics	3
93	1 619 PC2 142	Foam Plastics	3
94	1 619 PC2 143	Foam Plastics	3
95	1 619 PC2 144	Foam Plastics	3
96	1 619 PC2 145	Foam Plastics	3
97	1 619 PC2 953	Sticker	3
102	1 619 PC2 955	Screw	3
105	1 619 PC2 958	Screw	3
856	1 619 PC1 254	Latch	3
864	1 619 PC1 262	Float	3